

PRO CHAIR / PRO ARMCHAIR

four-legged frame with casters



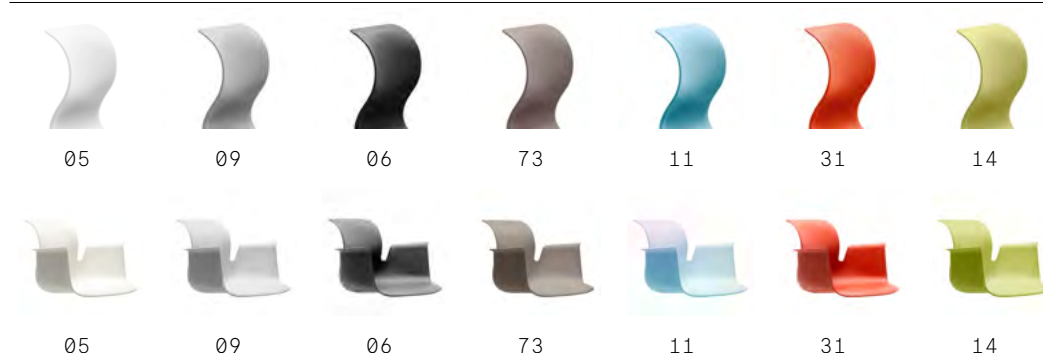
Recommended use

School, university, educational facility

Frame

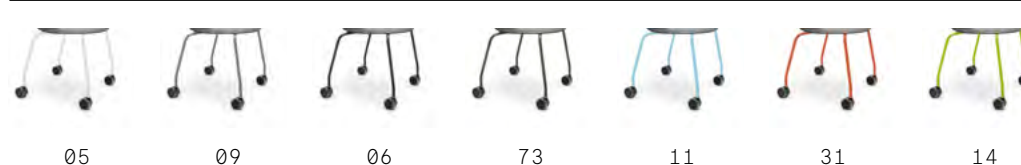
Curved, precision, round spring steel pipe (Ø exterior = 18 mm)

Seat shell



100% polypropylene. With anti-slip and matt texture on the seat surface and durable structure on the back of the seat shell.

Frame colours



Frame colours, powder-coated

Size

Seat height: 460 mm

Standard

Size 6 developed in accordance with DIN EN 1729

Weight

PRO CHAIR: 8.3 kg
PRO ARMCHAIR: 8.7 kg

Casters



Wheel diameter 65 mm, which makes rolling even more comfortable. The run much more smoothly and easily than smaller chair casters.

Seat cushion

All details about seat cushions on page 167.

Accessories



Writing podium HPL solid-core, bracket made of 25 mm round steel pipe
Tray made of wire mesh. Only possible with PRO CHAIR seat shell..

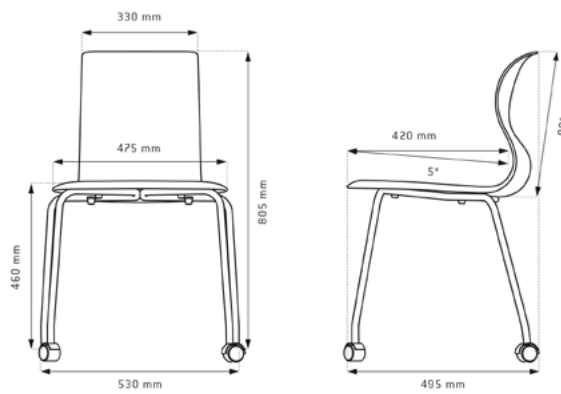
Fire protection

Seat shell available in a flame retardant (optional) version,
tested in accordance with DIN 4102-1 for building material class B1.
Test certificate no. 230008573 can be sent upon request.

DXF, DWG data

Data in a variety of formats for architects and planners available upon request.

Dimensions



○ 05	Snow White	RAL 9002	NCS S 1002-G50Y
● 09	Granite Grey	RAL 7037	NCS S 5000-N
● 06	Graphite Black	RAL 9005	NCS S 9000-N
● 73	Warm Grey	-	NCS S 5005-Y20R
● 11	Aquablau	RAL 210 70 10	NCS S 2020-B10G
● 31	Coral Red	RAL 040 40 60	NCS S 2070-Y80R
● 14	Kiwi Green	RAL 100 70 60	NCS S 3050-G80Y