

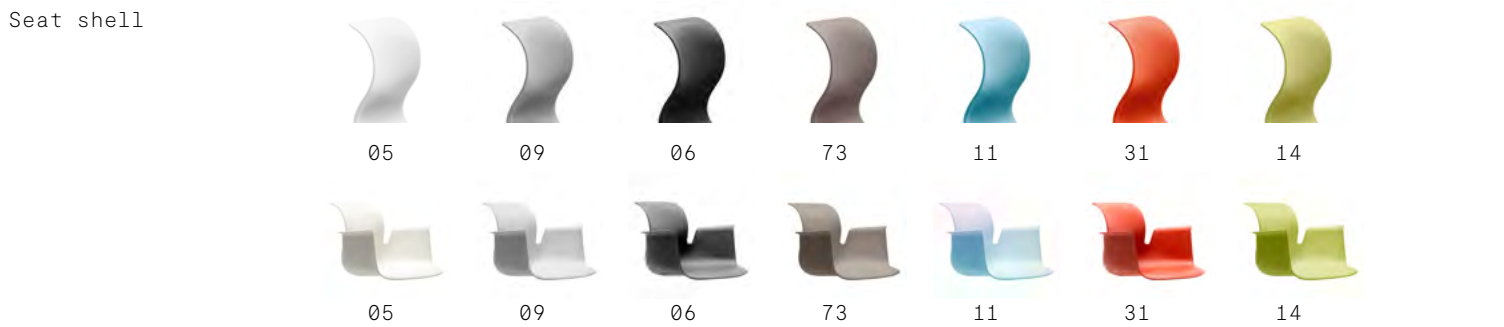
PRO CHAIR / PRO ARMCHAIR

swivel chair



Recommended use School, university, educational facility

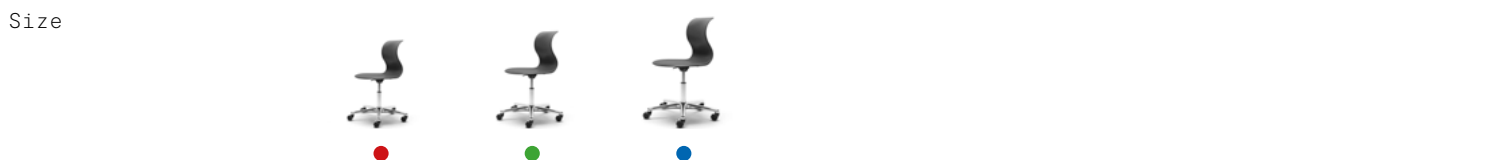
Frame Foot cross with 5 casters and pneumatic height adjustment.



100% polypropylene. With anti-slip and matt texture on the seat surface and durable structure on the back of the seat shell.



Frame colours, powder-coated. 06 polyamide, 30% glass fibre-reinforced, black. All pneumatic springs, black, except 98 pneumatic spring chrome.



Size	Seat height ¹	Body size	Age group	Weight ²
4 ●	335-435 mm	133-188 cm	8-12 years	7.3 kg/8.8 kg
5 ●	420-550 mm	146-207 cm	10-14 years	7.7 kg/9.2 kg
6 ●	420-550 mm	146-207 cm	10-99 years	8.4 kg/9.9 kg

Applies only to the PRO CHAIR swivel chair.

Weight PRO CHAIR 8.4 kg
PRO ARMCHAIR 9.4 kg

Standard DIN EN 1729, incl. colour coding



PRODUCT DETAILS

Seat cushion All details about seat cushions on page 167.

Stackability Non-stackable. Can be put up with metal bracket.

Accessories Footrest, pneumatic spring



The footrest is attached and locked into place with a large knurled screw. The ring always chrome-plated and the interior crosspiece is always black. Pneumatic springs available in different heights (up to bar stool height). Seat heights: 560-810 mm (frame with castors), 500-750 mm (frame with glides).

PRO-MATIC Seat mechanism Seat incline



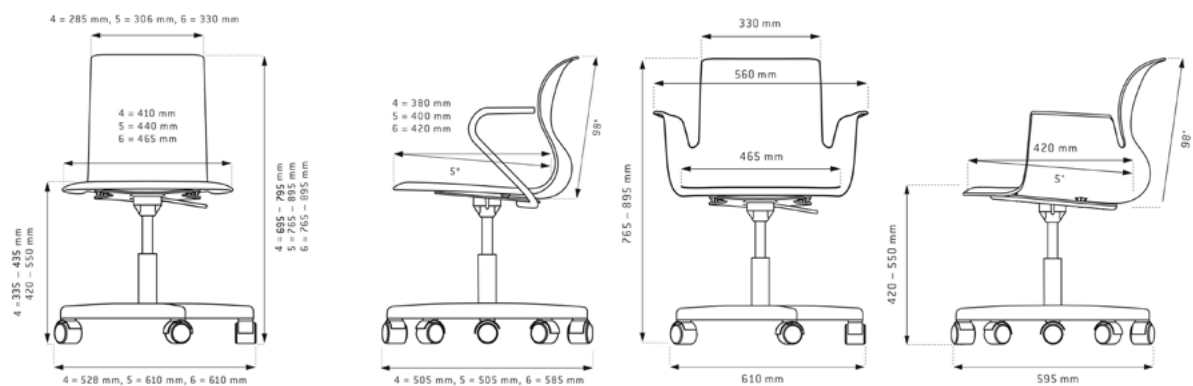
Flötotto bets on new standards in seating furniture: The PRO-MATIC takes an entirely new approach. Due to its flexible spring steel and rubber buffer, the PRO-MATIC follows the user's centre of gravity. The user thus sits dynamically and comfortably, but with controlled support. The back and abdominal muscles are thus naturally stimulated and strengthened. The PRO-MATIC can be retrofitted with just a few movements.

Frame function Pneumatic height adjustment, swivels

Fire protection Seat shell available in a flame retardant (optional) version, tested in accordance with DIN 4102-1 for building material class B1. Test certificate no. 230008573 can be sent upon request.

DXF, DWG data Data in a variety of formats for architects and planners available upon request.

Dimensions



- 05 Snow White RAL 9002 NCS S 1002-G50Y
- 09 Granite Grey RAL 7037 NCS S 5000-N
- 06 Graphite Black RAL 9005 NCS S 9000-N
- 73 Warm Grey - NCS S 5005-Y20R
- 11 Aquablau RAL 210 70 10 NCS S 2020-B10G
- 31 Coral Red RAL 040 40 60 NCS S 2070-Y80R
- 14 Kiwi Green RAL 100 70 60 NCS S 3050-G80Y
- 98 Chrome

¹ Seat height information from the lowest to the highest gas lift setting.

² Weight (without/with AL)

- A Soft with chrome cover
- B Soft with black cover
- C Hard with black cover
- D Plastic glider