

# PRO CHAIR / PRO ARMCHAIR

## traverse



Recommended use      Waiting room, foyer

Frame      Natural oak, clear coating

Seat shell

05      09      06      73      11      31      14

05      09      06      73      11      31      14

100% polypropylene. With anti-slip and matt texture on the seat surface and durable structure on the back of the seat shell. Seat shell with mount for traverse, incl. screws.

Frame colours

Natural oak, clear coating

Size and weight

3 elements: 1.800 mm, 22.45 kg (CHAIR)  
 4 elements: 2.400 mm, 28.45 kg (CHAIR)  
 5 elements: 3.000 mm, 35.45 kg (CHAIR)  
 6 elements: 3.600 mm, 40.45 kg (CHAIR)

3 elements: 1.800 mm, 22.85 kg (ARMCHAIR)  
 4 elements: 2.400 mm, 28.85 kg (ARMCHAIR)  
 5 elements: 3.000 mm, 35.85 kg (ARMCHAIR)  
 6 elements: 3.600 mm, 40.45 kg (ARMCHAIR)

Tabletop      MDF-coated, HPL solid-core tabletop, anthracite

Glider

A      B

Seat cushion      All details about seat cushions on page 167.

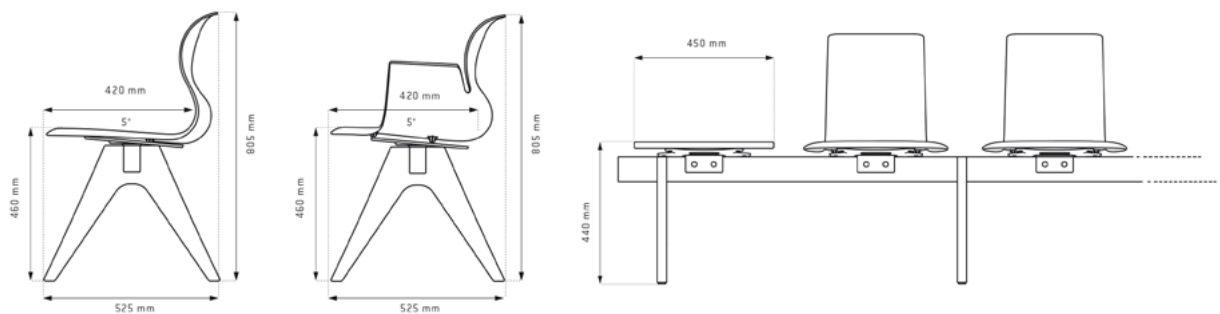
DXF, DWG data

Data in a variety of formats for architects and planners available upon request.

Designs



Dimensions



PRODUCT DETAILS

○ 05	Snow White	RAL 9002	NCS S 1002-G50Y	
● 09	Granite Grey	RAL 7037	NCS S 5000-N	
● 06	Graphite Black	RAL 9005	NCS S 9000-N	
● 73	Warm Grey	-	NCS S 5005-Y20R	
● 11	Aquablau	RAL 210 70 10	NCS S 2020-B10G	
● 31	Coral Red	RAL 040 40 60	NCS S 2070-Y80R	A Felt glider
● 14	Kiwi Green	RAL 100 70 60	NCS S 3050-G80Y	B Hyper glider