

PRO CHAIR / ARMCHAIR

swivel chair



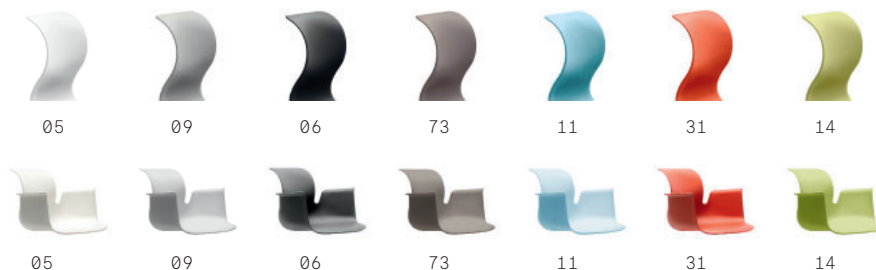
Recommended use

School, university, educational facility

Frame

Foot cross with 5 casters and pneumatic height adjustment.

Seat shell



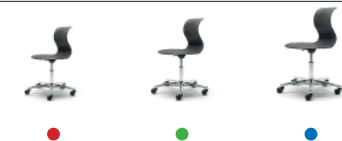
100% polypropylene. With anti-slip and matt texture on the seat surface and durable structure on the back of the seat shell.

Frame Colours



powder-coated. 06 polyamide, 30% glass fibre-reinforced, black. All pneumatic springs, black, except 98 pneumatic spring chrome.

Größe



Size	Seat height ¹	Body size	Age group	Weight ²
4 ●	335-435 mm	133-188 cm	8-12 years	7,3 kg/8,8 kg
5 ●	420-550 mm	146-207 cm	10-14 years	7,7 kg/9,2 kg
6 ●	420-550 mm	146-207 cm	10-99 years	8,4 kg/9,9 kg

Only applies to the PRO CHAIR swivel chair.

¹ Seat height specifications from the lowest to the highest gas pressure spring setting.

² Weight (without/with AL)

Weight

CHAIR 8,4 kg ARMCHAIR 9,4 kg

Norm

DIN EN 1729, inkl. Colour coding

Castors / glides



SEAT CUSHION	All details on the seat cushions on page 155.
Stackability	Not stackable. Can be raised with metal bracket.
Accessories	Footrest, gas pressure spring, shelf (PRO CHAIR)



The footrest is attached and locked in place with a large ratchet screw. The ring is always chrome-plated, the inner cross is always black. Gas struts available in various heights (up to bar stool height).

PRO-MATIC	Seat mechanism Seat tilt
-----------	-------------------------------

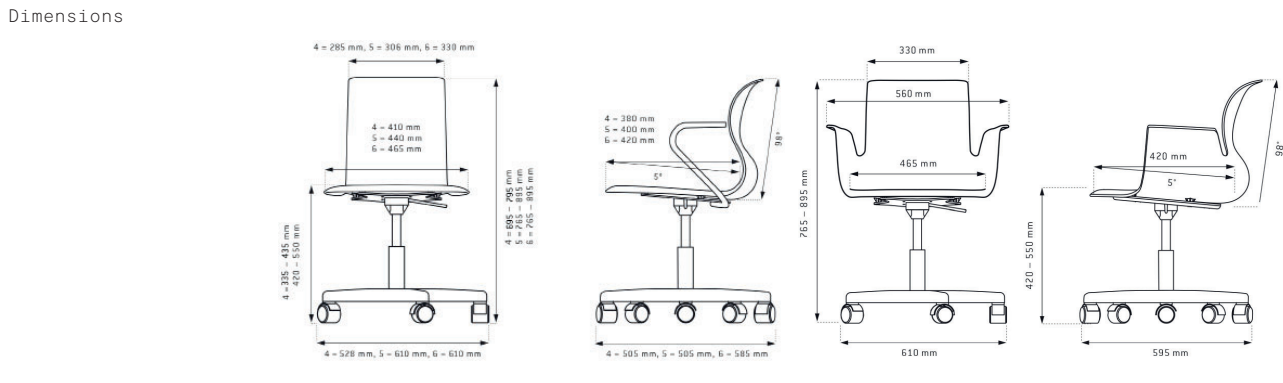


Flötotto is setting new standards for seating furniture: the PRO-Matic takes a completely new approach. Thanks to its flexible spring steel and rubber buffer, the PRO-Matic follows the user's centre of gravity. The user sits dynamically and comfortably, yet with controlled support. The back and abdominal muscles are stimulated and strengthened in a natural way. The PRO-Matic can be retrofitted in a few simple steps.

Rack function	Gas pressure height adjustment, rotatable
---------------	---

Fire protection	Seat shell available in flame-retardant (optional), tested in accordance with DIN 4102-1 for building material class B1. Test certificate no. 230008573 can be sent on request.
-----------------	---

DXF-, DWG-Data	Data in various formats for architects and planners available on request.
----------------	---



- 05 Snow White (RAL 9002)
- 09 Granite Grey (RAL 7037)
- 06 Graphite Black (RAL 9005)
- 73 Warm Grey (NCS S5005-Y20R)
- 11 Aqua Blue (RAL 210 70 10)
- 31 Coral Red (RAL 040 40 60)
- 14 Kiwi Green (RAL 100 70 60)
- 98 Chrome

- A Soft with chrome cover
- B Soft with black cover
- C Hard with black cover
- D Plastic glides