

PRO STOOL high, medium, low



PRO STOOL high



PRO STOOL medium



PRO STOOL low

Recommended use

Classrooms, canteen, music rooms, all-day area, workshops, lounge

Frame

Curved round steel tube (Ø 18 mm)

Seat shells



100% polypropylene. With a non-slip, matt texture on the seat and a durable structure on the back of the seat shell.

Frame color



Colour powder coated.

Slider



- A Universal glider as a semi-circular cap
- B Ball joint foot with felt glider
- C Ball joint foot with hyper glider

Size

Model	Size*	Seat height
high	-	77 cm
medium	-	64 cm
low	6	46 cm
low	5	43 cm
low	4	38 cm
low	3	35 cm

* accordingly DIN EN 1729

Weight

high	7,9 kg
medium	7,4 kg
low	6,8 kg

05	Snow White	RAL 9002	NCS S 1002-G50Y
09	Granite Grey	RAL 7037	NCS S 5000-N
06	Graphite Black	RAL 9005	NCS S 9000-N
73	Warm Grey	-	NCS S 5005-Y20R
11	Aqua Blue	RAL 210 70 10	NCS S 2020-B10G
31	Coral Red	RAL 040 40 60	NCS S 2070-Y80R
16	Sun Yellow	-	NCS S 0580-Y10R
54	Fern Green	-	NCS S 3020-G
04	Forest Green	RAL 6005	NCS S 7020-G

PRODUCT INFORMATION

Stand 15|11|2025

Facilities



PRO STOOL high and medium optional with back strap

Stackability

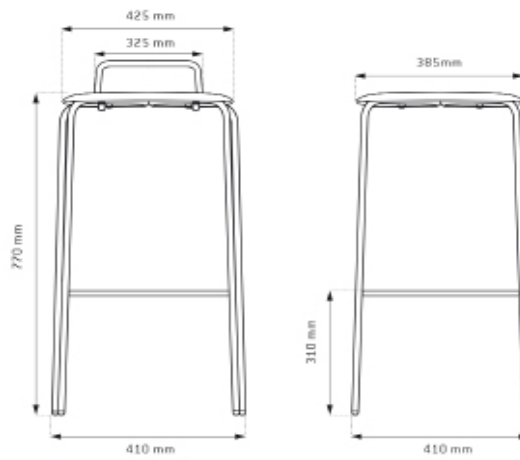
PRO STOOL low is stackable.

Accessories

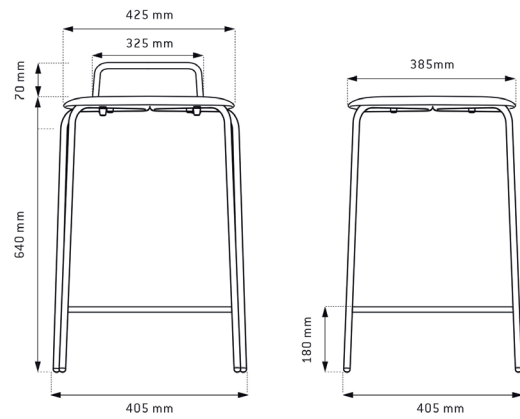
full upholstery
 PRO STOOL low - Storage and transport PRO STOOL Caddy

Measurements in mm

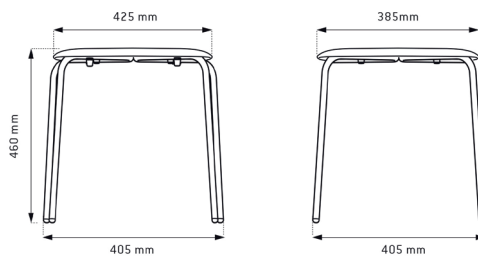
PRO STOOL high



PRO STOOL medium



PRO STOOL low



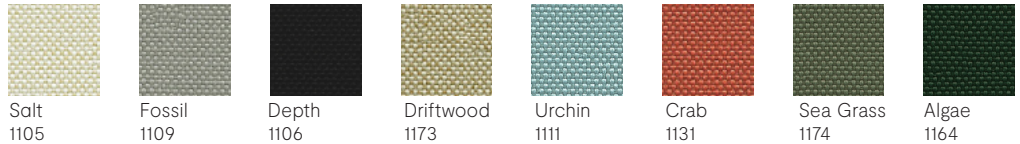
Fully upholstered cover fabrics



PRO colours

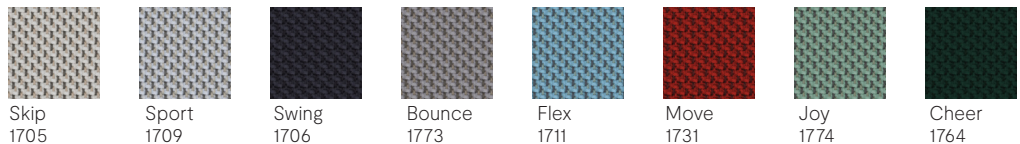


Quest Price group 1



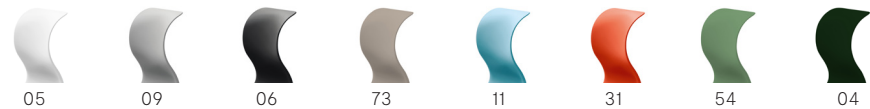
100% recycled post-consumer polyester, contains 75% SEAQUAL® YARN, 330g/m², abrasion resistance 100,000 Martindale, 10-year guarantee against wear and tear, lightfastness 4-6, flame retardant, EU Ecolabel certificate.

RePlay Price group 2



100% post-consumer recycled, flame-retardant polyester, approx. 380 g/m², 100,000 abrasion cycles, lightfastness 4-6, rub fastness 4, 10-year guarantee, EU Ecolabel certificate

PRO colours



Oceanic Price group 2



100% recycled post-consumer polyester, contains 50% SEAQUAL yarn, 497g/m², 100,000 abrasion cycles, 10-year warranty, lightfastness 5, rub fastness 4, flame retardant, EU Ecolabel certificate.

Stock programme - delivery time approx. 6 weeks

RePlay Price group 2



Further upholstery fabrics

On request, you will also receive a quote with corresponding delivery times for products from the PRO, ACTIVE and QUIET PLEASE collections with a selection of upholstery fabrics Blazer and Main Line Flax.

GENERAL INFORMATION



NOTES

Planning data

Files for architects and planners available on request.

Fire protection

Seat shell available in flame-retardant material (optional), tested in accordance with DIN 4102-1 for building material class B1. Test certificate no. 230008573 can be sent on request.

Tender documents

Please send us an email or give us a call, and we will promptly send you the requested texts about our products.

Certificates

Quest, Oceanic and RePlay upholstery fabrics:
- OEKO-TEX® Standard 100
- Indoor Advantage™ Gold
- EU ECOLabel
- DIN 4102-1 (B1) – RePlay and Oceanic only
We would be happy to send you the certificates for the product information on the upholstery fabrics.

Cleaning & Care

Plastic surfaces



Powder-coated surfaces



Note on colours

Seat shell/frame colour kiwi green with minimum order quantities on request

Dimensions may vary due to material and production tolerances.
Subject to technical changes, errors and colour variations.

WE LOOK FORWARD TO SEEING YOU



FLÖTOTTO

	<p>Flötotto Einrichtungssysteme GmbH An der Manufaktur 4 33334 Gütersloh Germany</p>
Consultancy	<p>FLÖTOTTO is a key development partner for school authorities, architects, ministries and is in daily close contact with the teachers responsible in the respective schools. Together, we create flexible, age-appropriate educational spaces for intensive interaction between learners and teachers. The living and learning spaces we develop improve learning outcomes and, together with the architecture, ideally also have a positive impact on the immediate vicinity of the school location.</p> <p>We remain your first point of contact until the project is completed and even years afterwards.</p> <p>Get in touch with us, we will be happy to advise you!</p>
Contact for teachers & school administrators	<p>+ 49 5241 50474 0 lehrende@floetotto.com</p>
Contact for architectural firms	<p>+ 49 5241 50474 51 schulbau@floetotto.com</p>
Contact for school authorities	<p>+ 49 5241 50474 50 schultraeger@floetotto.com</p>
Contact for school authorities	<p>www.floetotto.com</p>
